

DWG TITLE:

**ADJUSTABLE
SHELF SPRING CLIP**

MASTER (VARIO) NAME:

DRWN BY: RICH

SCALE:
1:10

DATE: /2004

FILENAME: AS_SPRINGCLIP

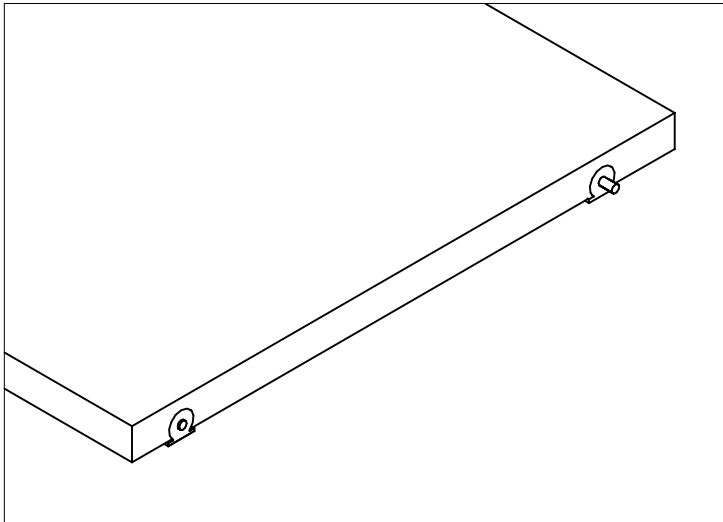
NOTES:

TO BE USED WITH INTERNAL CABINETS ONLY. STAINED INT. OR OPEN SHELF CABINET TO USE EXISTING CHROME SHELF CLIP

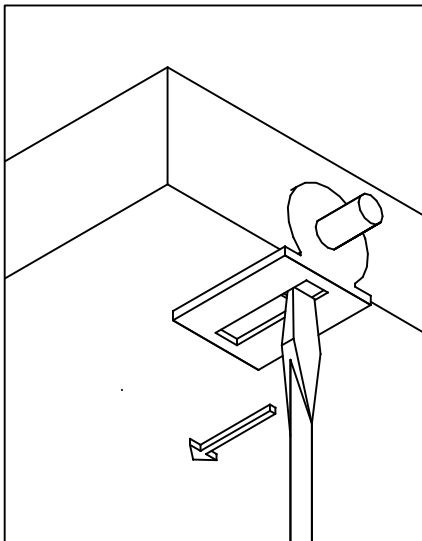
APP. ENGINEERING:

APPROVED DEALER
SIGNATURE:

PAGE:

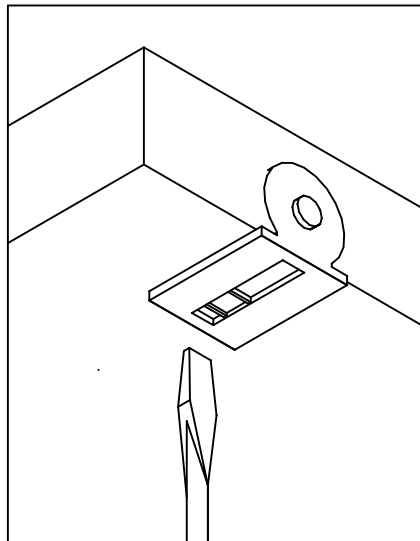


**SHELF CLIPS INSTALLED
IN ADJUSTABLE SHELVES**



To remove shelf:

Retract both spring loaded shelf clips on one side of shelf. Use 1/8" slot screwdriver in metal notch and pull towards the center of shelf until it locks. Lift shelf out.



To re-set shelf:

Move shelf to new location, allow 2 spring clips (non locked side) to insert into the desired hole location. Line up shelf and use a 1/8" slot screwdriver to release the "locked" shelf clip. For best results, insert the head of the screwdriver between the plastic casing and the back of the metal notch and rotate 1/4 turn clockwise to release the spring clip.

